

PURGE

Purge Mode lasts three (3) minutes during which the Fan [G] continues to operate during Opposing-Call Changeover. (Switching from Heat to Cool or Cool to Heat) During the Purge, heating or cooling equipment will not be energized. Purge mode is designed to allow HVAC system pressures and temperatures can equalize. During the Purge Mode, zone(s) calling for the opposite mode will have damper(s) closed. All other dampers (non-calling zone(s) and zone(s) calling for mode last energized) will remain open during Purge Mode

TIME DELAY

After all calls have been satisfied and the equipment is de-energized, all dampers open and a 3-minute **Time DELAY** will be completed before new thermostat calls will be processed. This is designed to protect the equipment from re-starting for 3-minutes after it has stopped running. The **SmartZone™** Controller will not energize the fan. However, the fan may continue to run if the equipment being used has a built in "off-time-delay."

SmartZone Equipment Staging

- 1st stage energizes anytime there is a thermostat call from any zone on the system.
- 2nd stage occurs after time and temperature criteria have been met as shown in the illustrations.
- 3-minute minimum run-time for second stage compressor.

EXCEPTION: If DIP switch #4 is in the 'LOCK OUT' position:
2nd Stage WILL NOT energize unless MORE than one (1) zone is calling for the same mode.

FOSSIL FUEL (DUAL FUEL) AUX. HEAT

Note 1: A DUAL FUEL KIT IS NOT REQUIRED and HEAT PUMP THERMOSTATS ARE NOT REQUIRED. However, use a Heat Pump stat for the ZONE 1 Thermostat only to control EMERGENCY HEAT.

Note 2: Always install the heat pump evaporator downstream of the furnace. This prevents condensation in the heat exchanger during the cooling mode.

EMERGENCY HEAT

- Emergency Heat can only be initiated through a heat pump thermostat connected to the ZONE 1 thermostat terminal.
- If this thermostat (ZONE 1) is set to Emer. Heat, the SmartZone™ system is LOCKED into emergency heat. The compressor will not energize and only heating calls will be recognized from any zone other than ZONE 1.
- Only W1/EH and G will remain energized for the remainder of the heating cycle.
- To "UNLOCK" and take the system out of Emergency Heat. Remove the Emer. Heat call at the ZONE 1 thermostat and make a call for compressor heat or cooling from this thermostat.

RC/RH JUMPER

The RC/RH Jumper is Factory Installed on the SmartZone™ Controller Board. If the system being used requires separate Heat and Cool Transformers, REMOVE this jumper [JP2] at the top right of the board.

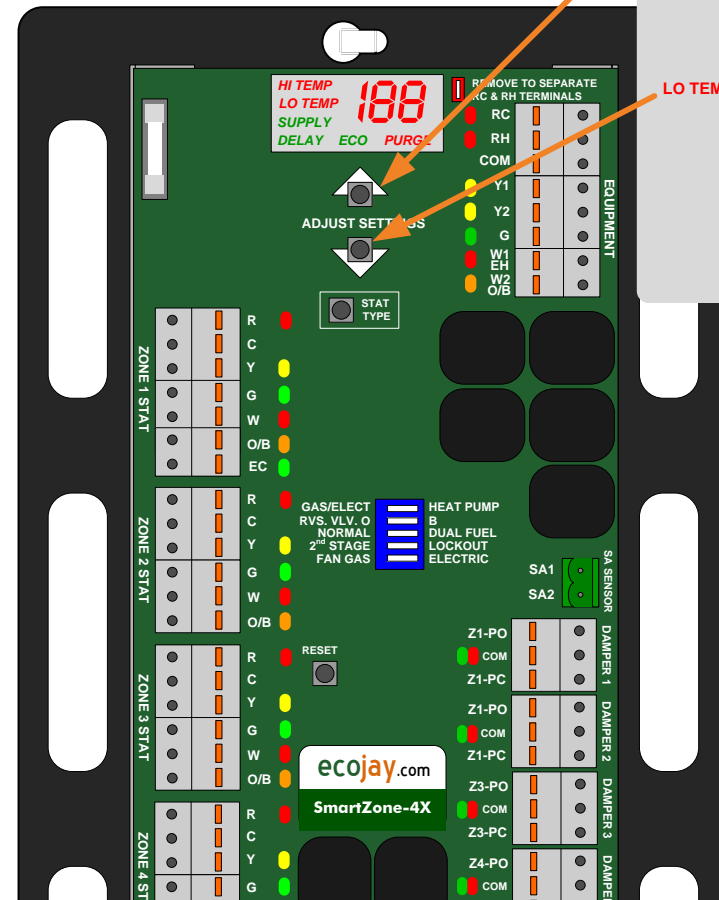
Note: In the case of a Heat-Pump System, this jumper ALWAYS needs to be installed.



SmartZone-4X/8X

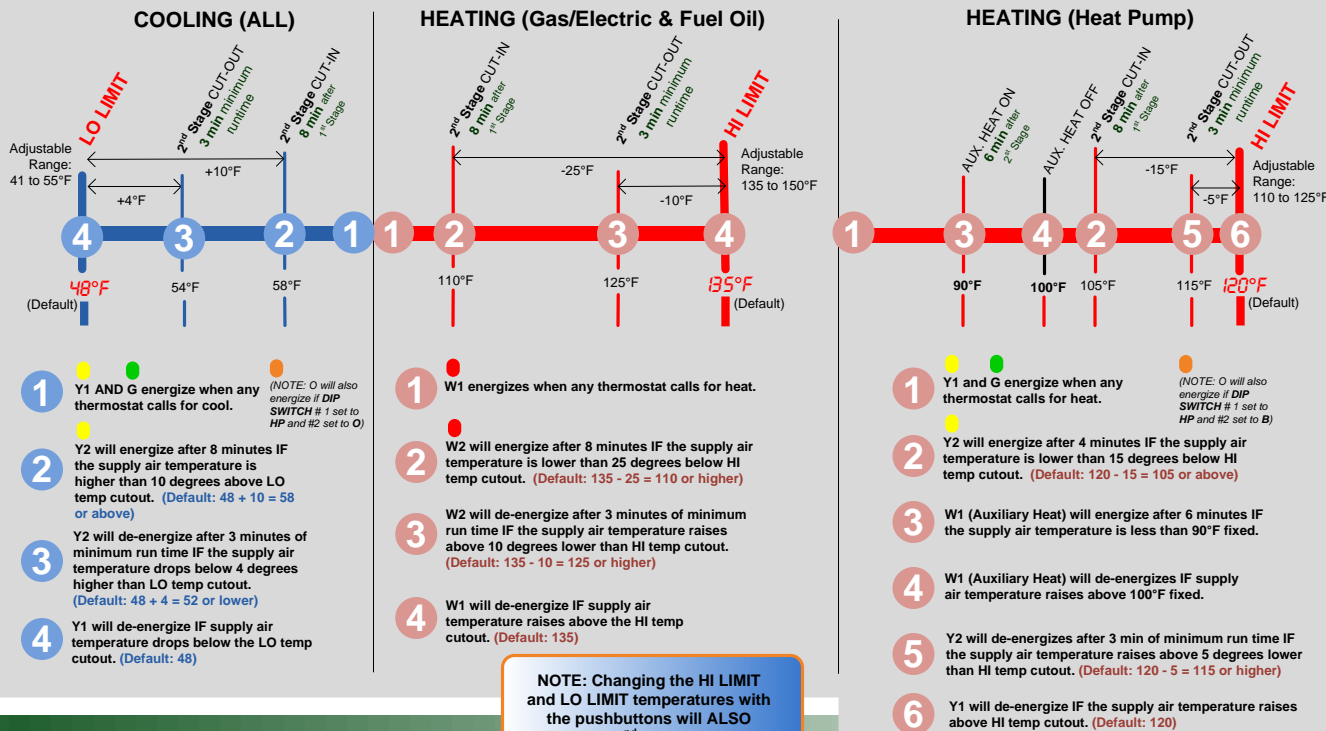
- ECONOMY INPUT
- USE ANY THERMOSTAT
- ELECTRONIC LIMIT CONTROL™ (ELC)
- SUPPLY AIR SENSOR INCLUDED
- GAS/ELECTRIC & HEAT PUMP & DUAL FUEL
- 2-Stage Cooling, 3-Stage Heating
- HIGH-END FEATURES AT LOW COST
- 5-YEAR LIMITED WARRANTY

SmartZone-4X 4-Zone Controller



PUSH BUTTONS & DISPLAY

- SUPPLY** = Supply Air Temperature displayed.
- PURGE** = System is in PURGE mode for equipment changeover (Fan [G] and dampers continue to operate)
- HI TEMP (ON)** = HIGH TEMP LIMIT sensed, SmartZone Controller shuts off HEAT output for a minimum of 3 minutes (Fan [G] and damper outputs continues to operate)
- HI TEMP (FLASHING)** = Setting HIGH TEMP LIMIT – Press UP or DOWN Arrow Buttons to adjust the HIGH TEMP LIMIT (factory default: heat pump – 120° F; electric heat – 135° F; gas heat – 135° F)
- LO TEMP (ON)** = LOW TEMP LIMIT sensed, SmartZone Controller shuts off the COOL output for a minimum of 3 minutes (Fan [G] and damper outputs continue to operate)
- LO TEMP (FLASHING)** = Setting LOW TEMP LIMIT – Press the UP or DOWN Arrow Buttons to adjust the LOW TEMP LIMIT (factory default 48° F)
- DELAY** = SmartZone Controller has satisfied all calls and will DELAY 3 min before initiating any additional calls.
- ECO** = EC input on Zone 1 is energized and system is in ECONOMY MODE. Only Zone 1 can initiate equipment calls, other zones will only open and close dampers as needed.



NOTE: Changing the HI LIMIT and LO LIMIT temperatures with the pushbuttons will ALSO change the 2nd-Stage CUTIN and CUTOUT temperatures. See above illustration for details.

SmartZone is a residential or light commercial HVAC zoning control system capable of controlling up to eight (8) zones on a single forced-air GAS/ELECTRIC, HEAT PUMP OR DUAL FUEL system. Each **SmartZone-4X/8X** system utilizes standard thermostats (Gas/Electric or Heat Pump) and dampers to manage comfort of the individual zones. The SmartZone controller can operate 2 stages of compressor and 2 stages of heating plus auxiliary heat for heat pump equipment.

AVAILABLE ONLINE

OTHER DOCUMENTS: SmartZone-4X/8X Specs sheet, SmartZone System Manual

WATCH FREE TRAINING VIDEOS

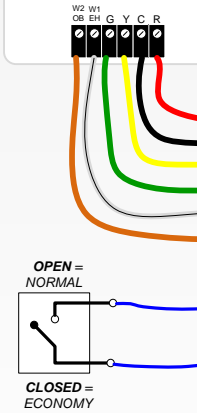


ecojay.com

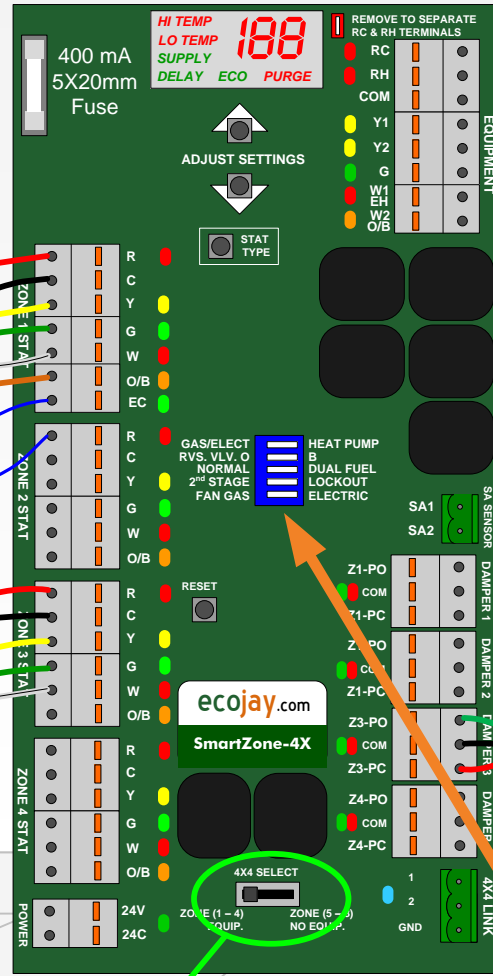
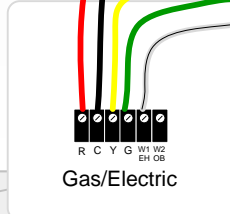
ECONOMY MODE SWITCH

(OPTIONAL) CONNECT 24V and EC INPUT to set the SmartZone System into ECONOMY MODE. ECONOMY MODE enables only ZONE 1 on Main Controller (MC) to make equipment calls. All other zone calls will open and close dampers as needed to take advantage of the active mode energized by the ZONE 1 thermostat on the main controller. APPLICATION: A simple timer could be used to set the entire system into economy mode after-hours OR a wall switch connected to this terminal would allow the user to simply 'switch' the system into ECONOMY MODE

Thermostat Backplate (Heat Pump w/ EH Control wiring shown)



Thermostats MUST have a COMMON or be BATTERY Operated

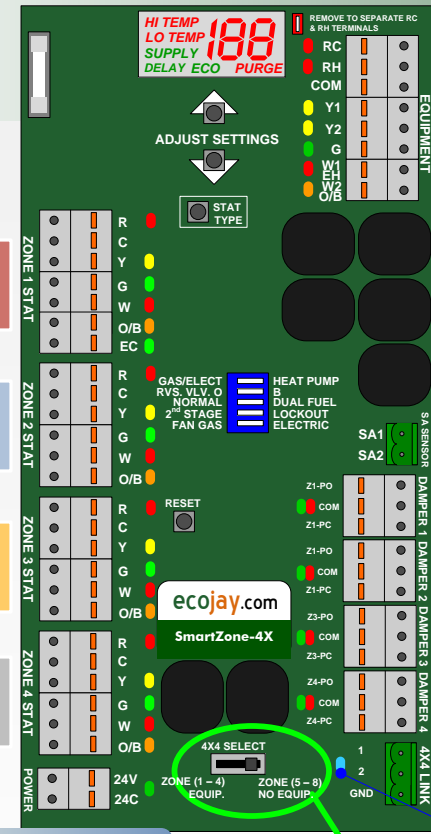


ZONE 5 THERMOSTAT

ZONE 6 THERMOSTAT

ZONE 7 THERMOSTAT

ZONE 8 THERMOSTAT



DO NOT CONNECT EQUIPMENT TO 4X CONTROLLER OPERATING ZONE 5 - 8

SAS SHOULD NOT BE CONNECTED ON 4X CONTROLLER OPERATING ZONES 5 - 8

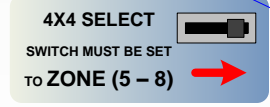
- ZONE 5 DAMPER(S)
- ZONE 6 DAMPER(S)
- ZONE 7 DAMPER(S)
- ZONE 8 DAMPER(S)

TRANSFORM TWO SmartZone-4X BOARDS into an 8 zone system with only TWO Simple Steps.

Complete 4X4 Link setup before powering 4X boards.

- CONNECT 4X4 LINK CABLE or use CAT5(e)/CAT6 cable (USING EZ PLUG CONNECTORS)
- SWITCH "4X4 SELECT" to "ZONE (5 - 8)" on second 4X controller - (the first 4X controller should be switched to "ZONE (1 - 4)")

POWER NOTE: If two separate transformers are used for the two 4X Boards, the polarity of the primary and secondary MUST be consistent between the two transformers.

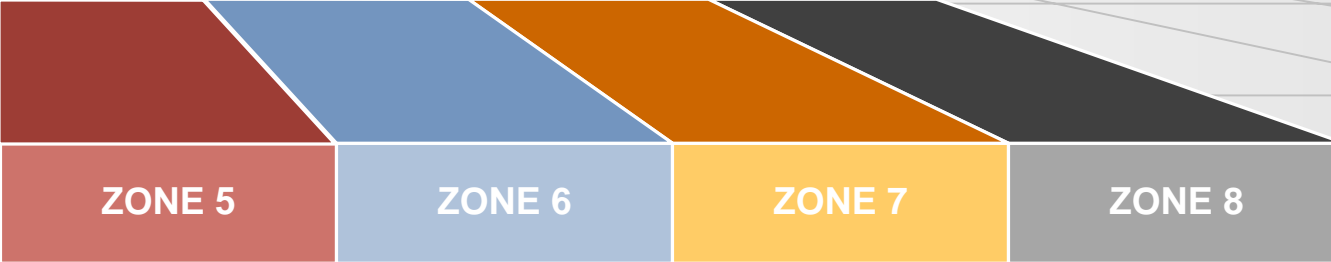
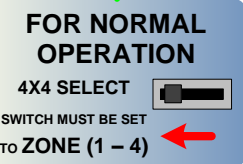


BLUE 4X4 LINK LED Flashing indicates communication established with ZONE(1 - 4) Board. If LED is OFF or SOLID BLUE, check 4X4 Link cable wiring or transformer(s) polarity.

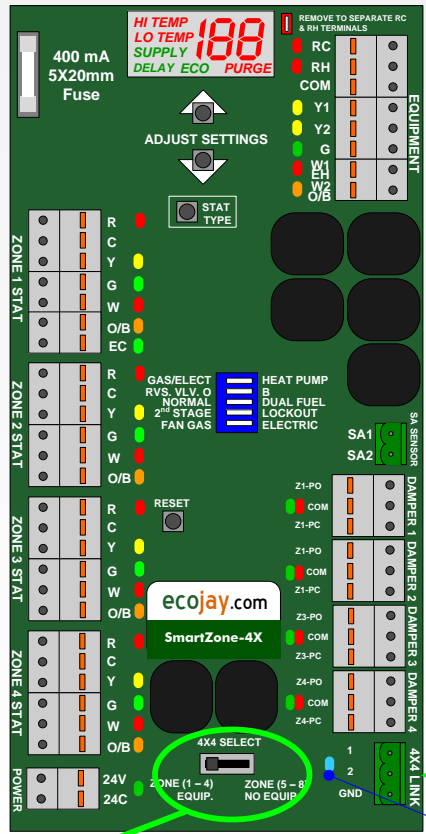
1 THERMOSTAT WIRING

USE 18 GAUGE Solid Conductor Wire For a HEAT PUMP System with Emer. Heat: ZONE 1 TStat only will have the ability to control Emergency Heat.

THERMOSTAT	COLOR (TYPICAL)	SmartZone
24VAC (HOT)	RED	R
24VAC (COMMON)	-- no standard	C
COMPRESSOR	YELLOW	Y
FAN	GREEN	G
HEAT or EMERGENCY HEAT	WHITE	W
REVERSING VALVE	ORANGE	O/B



8-ZONE System using exclusive 4X4 LINK



EQUIPMENT WIRING

Connect MAIN 4X Board EQUIPMENT Terminal Normally (as shown on page 4)
Do not connect equipment to 4X Controller operating Zones 5 - 8.

SAS
Connect included sensor to MAIN 4X Board.

- ZONE 1 DAMPER(S)
- ZONE 2 DAMPER(S)
- ZONE 3 DAMPER(S)
- ZONE 4 DAMPER(S)

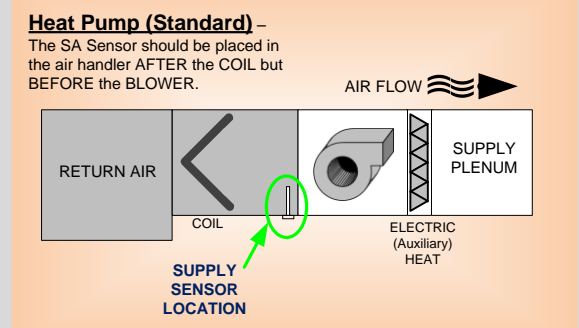
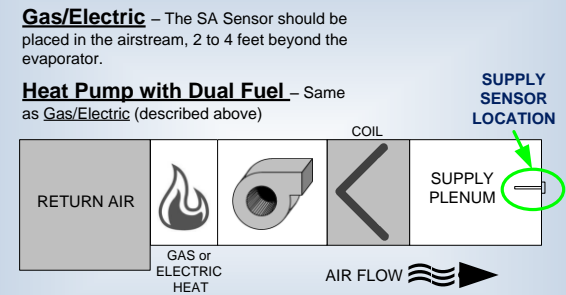
BLUE 4X4 LINK LED should ALWAYS be Flashing on the ZONE(1 - 4) Board
If LED is OFF or SOLID BLUE, check 4X4 Link cable wiring or transformer(s) polarity.

- ZONE 1 THERMOSTAT
- ZONE 2 THERMOSTAT
- ZONE 3 THERMOSTAT
- ZONE 4 THERMOSTAT

4X4 SELECT
SWITCH MUST BE SET to ZONE (1 - 4)

2 SUPPLY AIR SENSOR (SAS)

NOTE: WITHOUT this sensor, the SmartZone will ONLY respond to Zone 1 TStat and ONLY operate in 1st Stage.



SAS
4" Stainless Probe w/ 10 ft wire lead

3 ZONE DAMPER WIRING

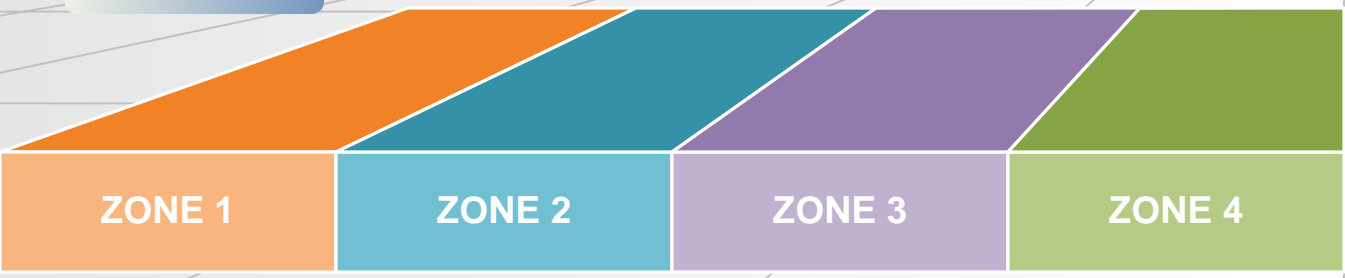
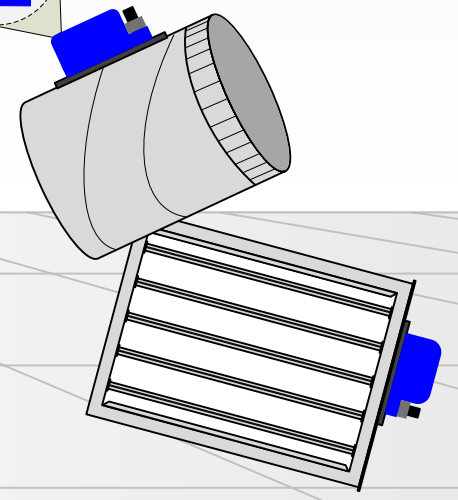
USE 18 Gauge Solid Conductor Wire
Multiple Dampers can be wired to each zone as necessary based on duct configuration. Up to 10 (3-Wire) dampers can be wired to any one zone damper terminal. Any 24VAC Damper can be used.

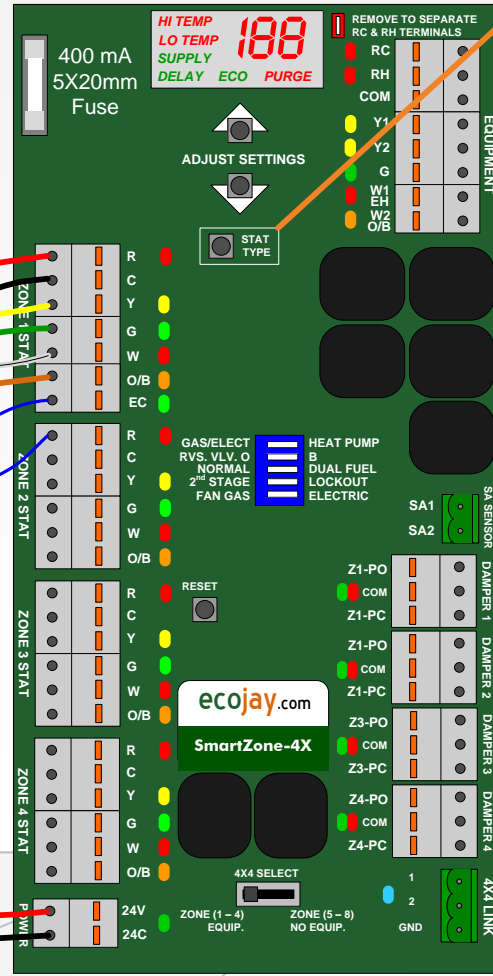
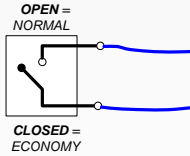
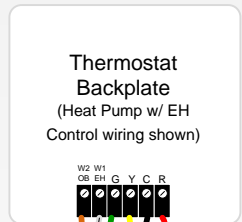


4 DIP SWITCHES

- 1. GAS/ELECT
- 2. RVS. VLV. O
- 3. NORMAL
- 4. 2nd STAGE
- 5. FAN GAS

# 1	GAS/ELECT	Standard GE or All Electric Equipment
	HEAT PUMP	Heat Pump Equipment
# 2	RVS. VLV O	Reversing valve energized in COOLING
	B	Reversing valve energized in HEATING
# 3	NORMAL	Operates Aux. Heat WITH compressor (HP Only)
	DUAL FUEL	Operates Aux. Heat WITHOUT compressor
# 4	2nd STAGE	2 nd Stage Active (Normal Operation)
	LOCKOUT	2 nd Stage will not energize if only ONE zone open
# 5	FAN GAS	Energizes fan after 45 second delay in heating
	ELECTRIC	Energizes fan immediately with heating

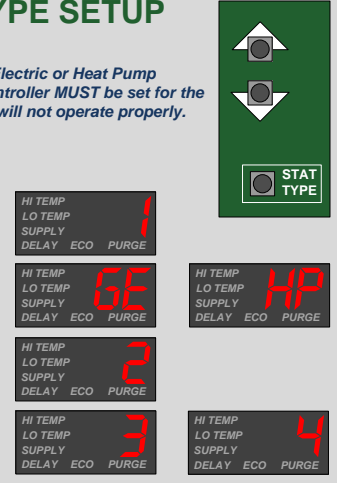




6 THERMOSTAT TYPE SETUP

NOTE: On Heat Pump equipment, either Gas/Electric or Heat Pump Thermostats can be used. The SmartZone controller MUST be set for the thermostat type being used or the equipment will not operate properly.

- 1 Press the STAT TYPE Button Once to set the Zone 1 Thermostat Type. The display will flash 1 – GE or HP.
- 2 Press the UP or DOWN Arrow Button to toggle between GE or HP (Gas/Electric or Heat Pump)
- 3 Press the STAT TYPE Button AGAIN (twice) to set the Zone 2 Thermostat Type. The display will flash 2 – GE or HP
- 4 Press the UP or DOWN Arrow Button to toggle between GE or HP (Gas/Electric or Heat Pump)
- 5 Repeat STEPS 3 and 4 to complete thermostat type setup for Zones 3 and 4.



Connect Equipment according to manufacturers instructions.

More Information AVAILABLE ONLINE ecojay.com

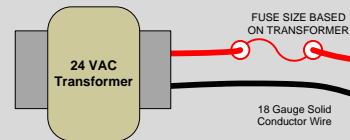
7 EQUIPMENT WIRING

USE 18 GAUGE Solid Conductor Wire
NOTE: Disconnect power to equipment transformer while wiring zoning board.

EQUIPMENT	COLOR (TYPICAL)	SmartZone
24VAC - COOLING	RED	RC
24VAC - HEATING	RED	RH
24VAC (COMMON)	-- no standard	C
COMPRESSOR (STAGE 1)	YELLOW	Y1
COMPRESSOR (STAGE 2)	-- no standard	Y2 (OPTIONAL)
FAN (BLOWER)	GREEN	G
HEAT (STAGE 1) or EMER. HEAT	WHITE	W1-EH
HEAT (STAGE 2) or RVS. VALVE	ORANGE	W2-O/B (OPTIONAL)

5 POWER (24 VAC)

SmartZone System MUST BE POWERED WITH AN INDEPENDENT, FUSED TRANSFORMER. The size of this transformer(s) will be determined with the TABLE below.



FIELD SUPPLIED TRANSFORMER MUST BE SIZED BASED ON THE 4X CONTROLLER, TOTAL DAMPERS AND THERMOSTATS.

ECOJAY Device	POWER
SmartZone-4X	14 VA
Power Open/Close Damper	3 VA
Spring Return Damper	10 VA
Typical Thermostat	3 VA

EXAMPLE:
SmartZone-4X, 4 Power Open/Close Dampers, 4 Thermostats
 $14 + (3 \times 4) + (3 \times 4) = 38 \text{ VA}$